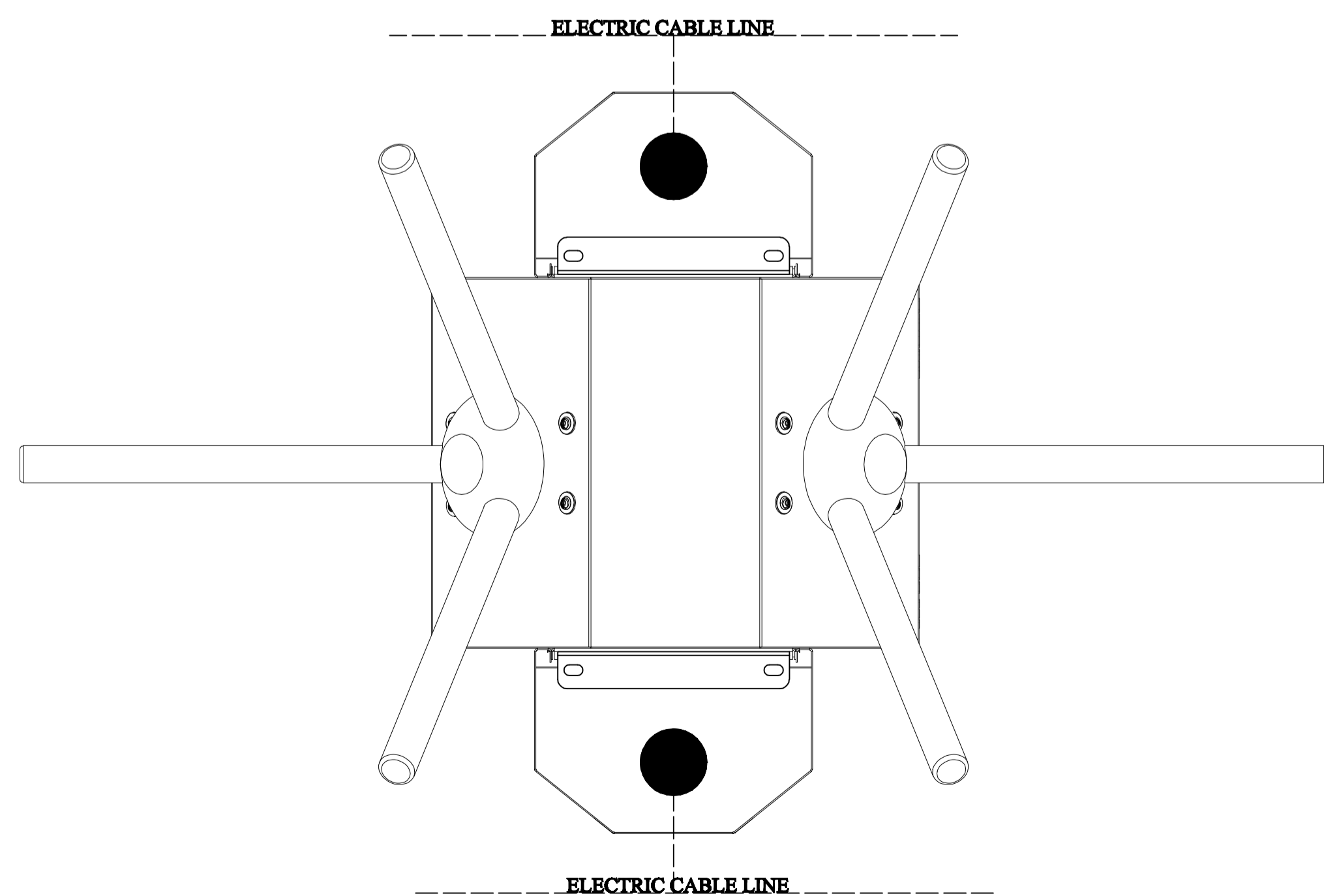
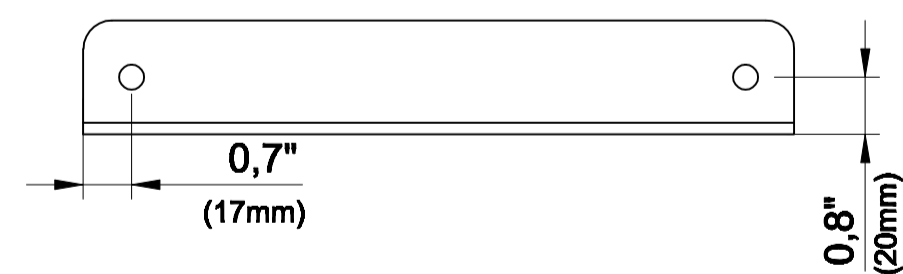


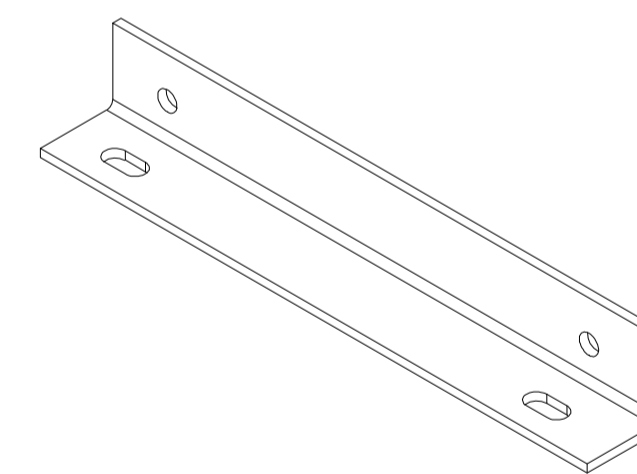
BASE VIEW OF TURNSTILE



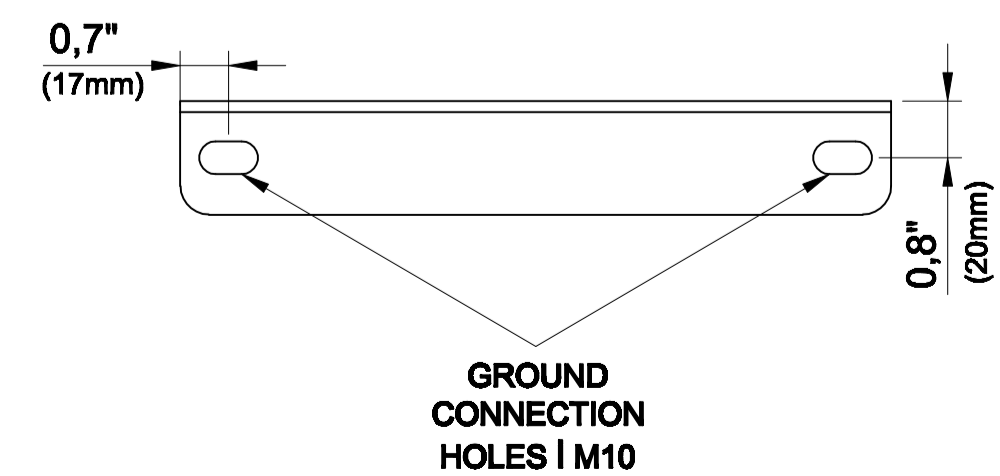
FRONT VIEW OF GROUND CONNECTION PLAQUE




ISOMETRIC VIEW OF GROUND CONNECTION



BASE VIEW OF GROUND CONNECTION PLAQUE



TECHNICAL DRAWING DIMENSIONING	REVISION
 TANSA 1962 SINCE TANSASEcurity.COM	
DRAWING MODEL	A4
LTT 323 DOUBLE	
SCALE : 1/15	PAGE 1 / 1